

## CRAWLER ACCESS PLATFORMS

# IM R 19 SA LITHIUM

19 m  
working height

NEW

## STANDARD EQUIPMENT

- Automatic levelling outriggers
- Emergency hand pump
- Cylinder holding valve
- Hour meter
- Momentum device
- Load cell
- Hydraulic Jib
- Rubber tracks
- Hydraulically adjustable tracks width
- Air / Water outlet in the platform
- 230V - 16 A outlet in the platform
- Electric motor 230V / 4 kW AC low voltage
- Removable control panel with coiled cable
- Double speed traction



## OPTIONALS

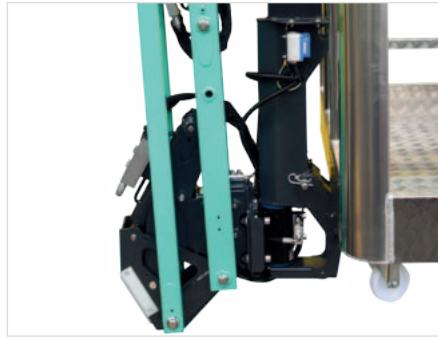
- 48V emergency electro-pump
- Non-marking rubber tracks
- Oversized outrigger pads (ø 350 mm)
- Wireless radio-control box
- Working light in the platform
- Kit IMERVIEW for fleet management

## BENEFITS

- ✓ Lithium batteries and AC electric motor for high performance.
- ✓ Possibility to operate from the power network and simultaneously charge the battery.
- ✓ Hydraulically adjustable tracks width: more stability and traction to move around the building site or rough terrain.
- ✓ State-of-the-art removable control panel: fast and versatile use of the machine.
- ✓ Proportional and simultaneous electro-hydraulic controls: efficiency and safety for operators.
- ✓ Automatic levelling outriggers: maximum easiness of use and safety.
- ✓ Permanent weight control device and momentum device for improved safety and performance.
- ✓ Slewing 360° (not continuous): outstanding aerial accessibility in any work situation.
- ✓ Basket rotation  $\pm 75^\circ$ : complete placement on working site in any condition.
- ✓ Compact size, with limited overall outrigger footprint.
- ✓ Engine guarded for safety and working protection.
- ✓ Aluminium platform 1.40x0.70x1.10 m.



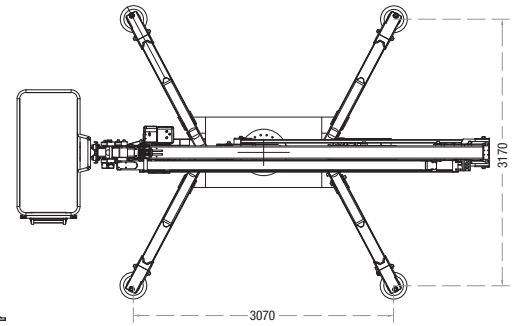
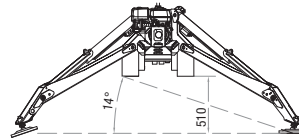
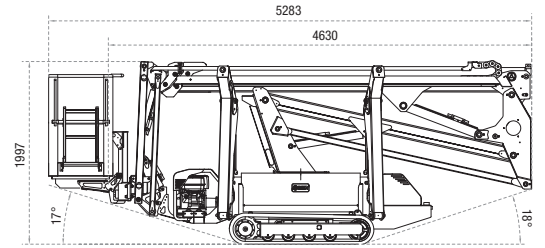
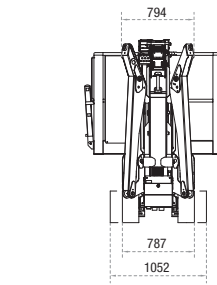
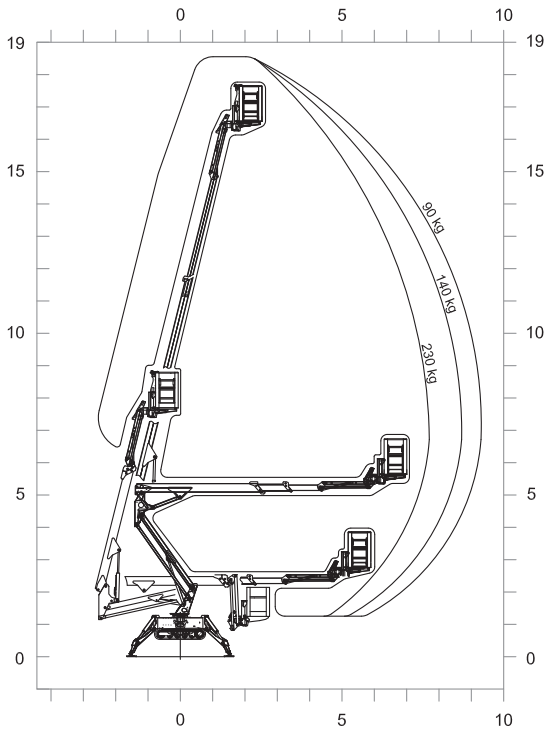
Basket mounting system designed for easiness of assembly.



Compactness of the jib assembly hosting both the load cell and basket rotation system.



Lithium batteries compartment: protected and easily accessible for the charging cycle management.



		IMR 19 SA LITHIUM
Working height	m	19
Platform height	m	17
Side outreach	m/kg	7.7 / 230 - 8.7 / 140 - 9.3 / 90
Slewing degrees	(°)	360° (not continuous)
Basket dimensions	m	1.40 x 0.70 x 1.10
Transport length	m	5.3 / 4.6 (without basket)
Transport width	m	Min 0.79 / Max 1.06
Height in stowed position	m	Min 1.99 / Max 2.10 (with outrigger pads)
Overall outrigger footprint	m	3.070 x 3.170
Driving speed	km/h	2.4
Gradeability degrees	(°)	18°
Platform capacity	kg	230
Electric motor		230V / 4 kW AC low voltage
Lithium batteries		48V / 120Ah
Battery charger		50A / 48V
Total weight of the machine	kg	2435



Compact dimensions for enhanced accessibility in any working site.